

FE305 Flange Facing Machine

0-305mm(0"-12")

YouTube



FE305 Flange Facer is OD-Mounted type, rugged, compact and ideal for quickly reconditioning rusty, scarred or worn flange gasket seats to like-new condition in minutes. It has a working range of 0 mm (0") to 305mm (12") and features 2 continuous feed rates. Air type powered by a 1.47HP high torque pneumatic motor; Electric type powered by 1Kw Panasonic servo motor and rotates on a high precision bearing giving excellent rigidity. It can machine standard FF and RF flange facings, RTJ and other V grooves, weld reparations, etc. The FE305 Flange Facer are suitable for the oil and gas industry, power plants, chemical plants, oil rigs and many others. It is prepared to implement applications complying with ASME standards.



Features

- Lightweight, compact and portable
- OD mounted and operates in any direction
- High precision preloaded bearing makes the machine precise and robust
- Suitable for various flange type: flat face, raise face, ring type joints(RTJ), Tongue & groove, compact flanges
- Pneumatic and Panasonic electric servo motor drive for option
- 2 continuous groove facing feeds for a gramophone finish (ASME Standard)

Specifications

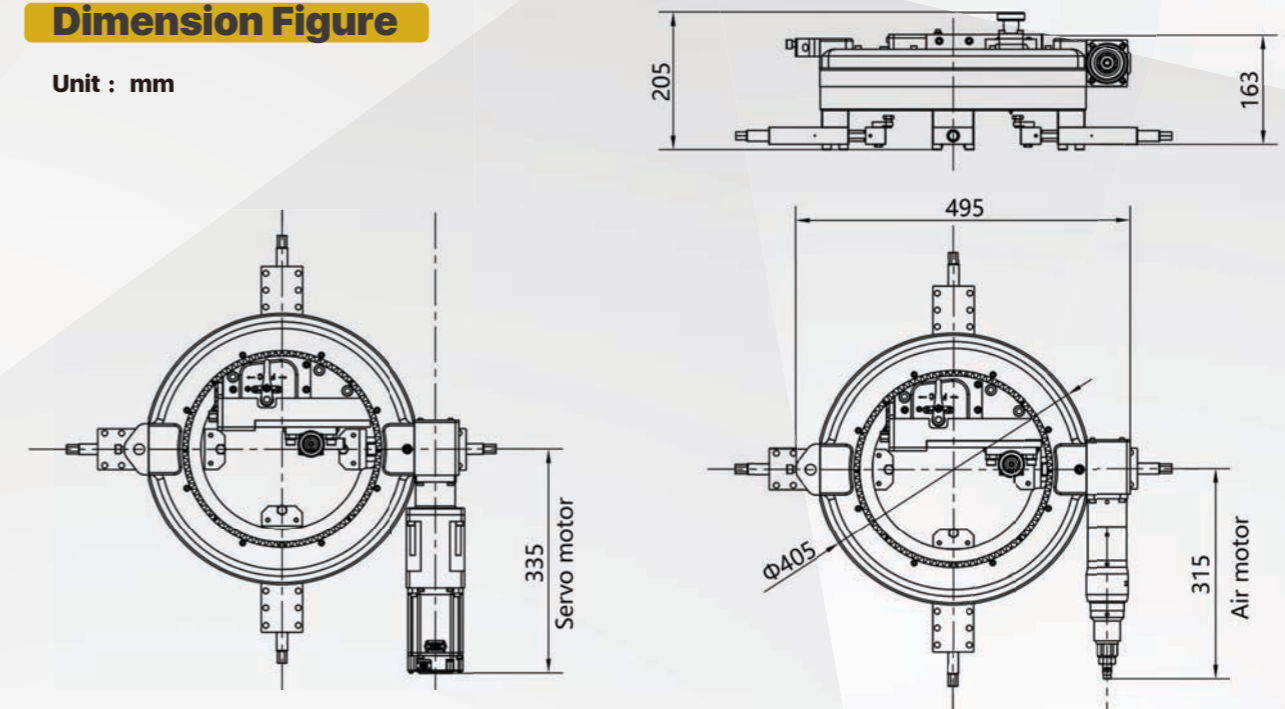
Model	FE305P	FE305E
Driven	Pneumatic	Electric-Servo
Motor	NODHA Air Motor	Panasonic Servo Motor
Power Supply	1.0m ³ /min (35CFM)@0.6Mpa (90psi)	220-240V 1PH 50/60HZ
Motor Power	1.47HP	1.0Kw
Min. Facing Dia.	0mm / 0"	
Max. Facing Dia.	305mm / 12"	
Min. Clamping Dia.	50mm / 2"	
Max. Clamping Dia.	450mm / 17.72"	
Tool Post Travel	40mm / 1.57"	
Max. R.P.M	45	57
Machine Weight	45 Kgs	44 Kgs
Shipping Weight	95 Kgs	139 Kgs
Package	Durable plastic case	Steel case
Shipping Dimensions	850*620*580mm	1160*600*510mm

Feed Rates

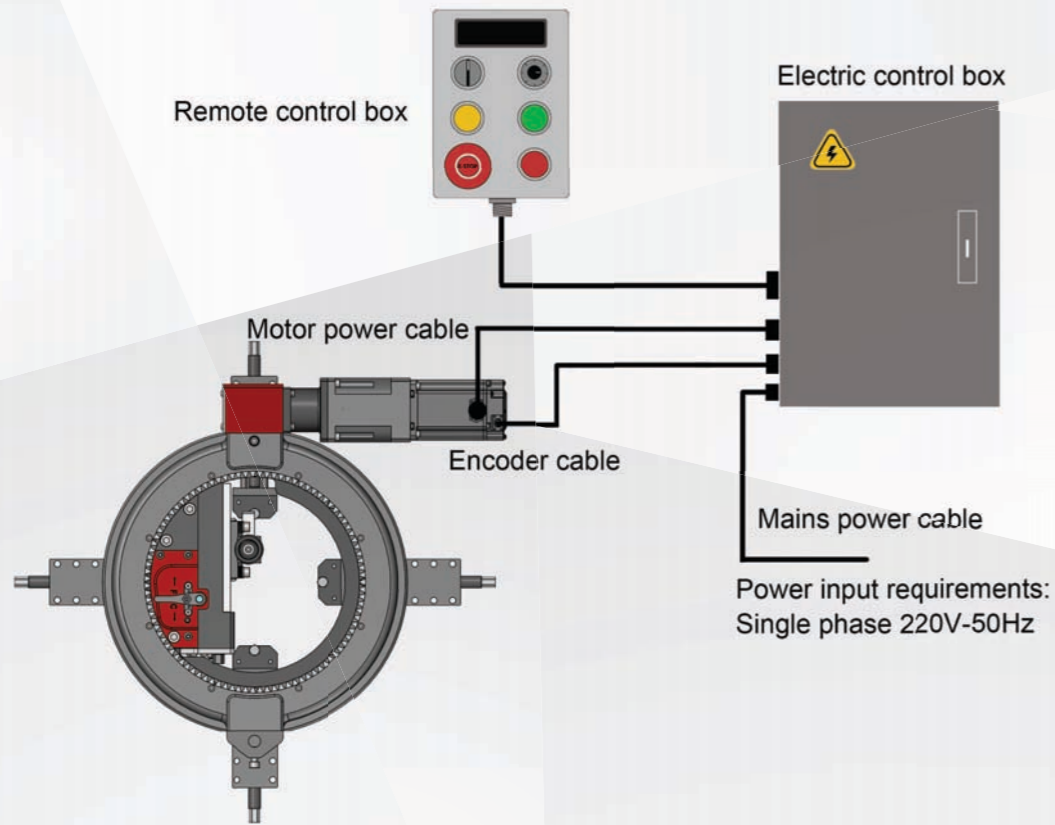
Direction	Gear Shift	Rate(mm/rev)	Rate(Inch/rev)
OUT	F (Fine)	0.125	0.005
IN	C (Coarse)	0.5(ASME B-16.5)	0.02

Dimension Figure

Unit : mm



Electric type connection



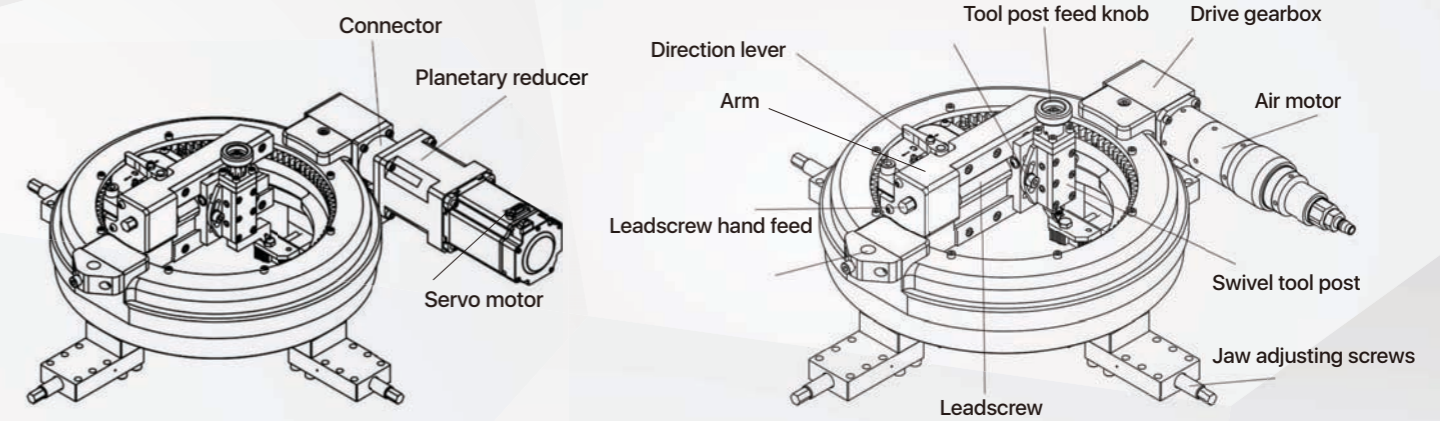
Standard Supply

Main Body-c/w Air motor
Extension Tool holder
90° Tool (RH)
Axial feed mechanism
Cutting tips - 5 pcs
RTJ Tools - 3 pcs
Full set hand tool
Air motor lubricating oil
Air Filter Lubricator-SMC
Hose connection
Full set clamps
Dia Gauge
Storage / Shipping case
Manual

Package



Configuration



Application

