

FI355M Flange Facer

27.2-355.6mm (1.07"-14")

YouTube



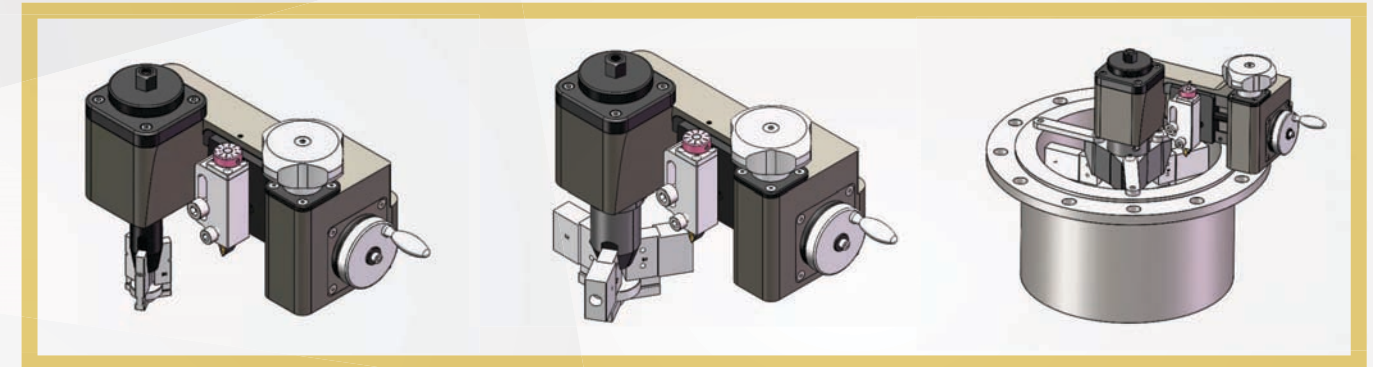
FI355M Manual Flange Facer is ideal for flange rush repair without any power source required. It is the most portable and easy to operate flange facer and perfect for re-facing raised-face and flat-faced flanges on site or in a fabrication/repair shop. The FI355M Flange Facer has a clamping range from 27.2mm to 270mm (1.07"-10.63") and can machine flanges up to 355.6mm (14") O.D.

The NODHA proprietary clamping system is simple to configure and designed for fast set up with accurate alignment. Cutting bits are double sided, long-lasting, and specially formed to cut through a wide variety of material including carbon steel, stainless steel, alloyed steel, aluminum and cast iron. Each tool kit comes ready to use in a sturdy carrying case that keeps everything conveniently organized and readily accessible.



Features

- Manual operated, no any power required
- Smooth swing operation produces perfectly precise phonographic finish
- Accurately mounts to I.D. in seconds, quick and easy set up
- Feeds available for both smooth and stock finish in accordance with ASME B-16.5
- Complete with kits ready to work
- Portable, durable trolley case, easy to storage and move

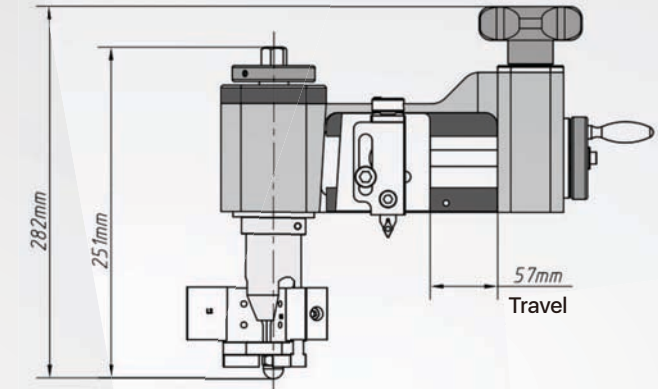
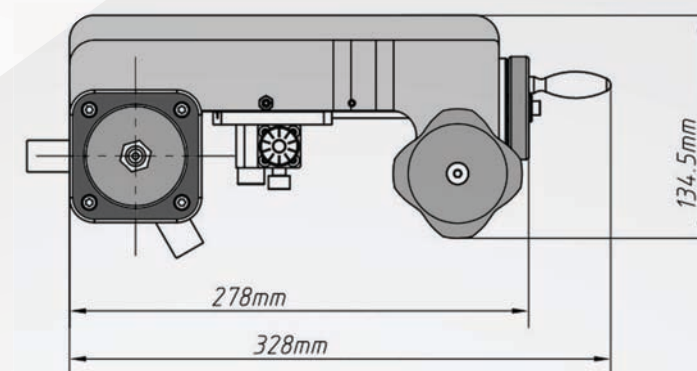


Three sizes of mounting chassis
covering Dia. 27.2-270mm
ensure stability during machining

Specifications

Model	FI355M
Driven	Manually
Min. Facing Dia.	27.2mm / 1.07"
Max. Facing Dia.	355.6mm / 14"
Min. Clamping Dia.	27.2mm / 1.07"
Max. Clamping Dia.	270mm / 10.63"
Tool Post Travel-Vertical	40mm / 1.57"
Tool Post Travel-Horizontal	57mm / 2.24"
Fine Finish-Feed Screw	0.125mm/rev. / 0.005"
ASME B16.5-Feed Screw	0.5mm/rev. / 0.02"
Swing Diameter range	495-582mm / 19.5"-22.9"
Machine Weight	9 Kgs
Shipping Weight	29 Kgs
Package	Durable plastic case
Shipping Size	680x510x250mm

Dimension Figure



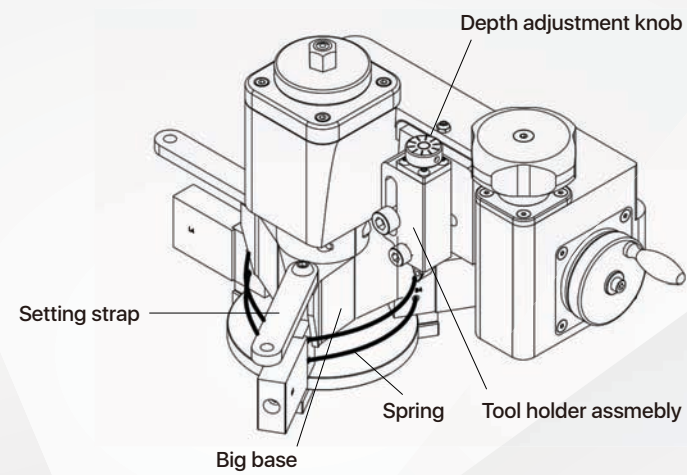
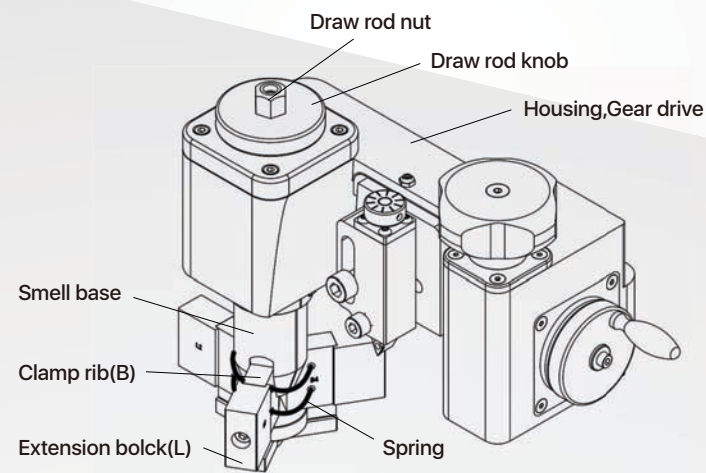
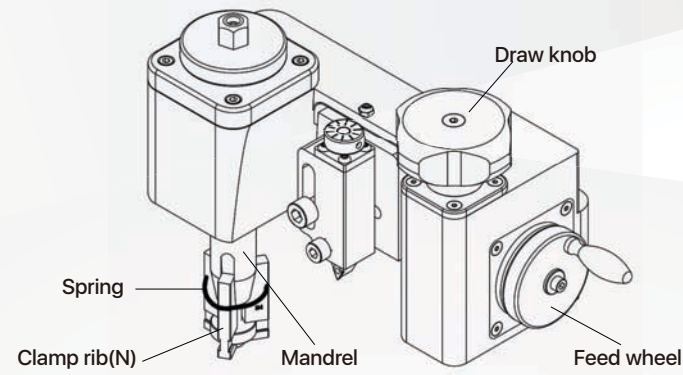
Standard Supply

Facer Body	Extention legs-N1, N2, N3, N4
ASME B16.5 Lead Screw	Extention legs-B1, B2, B3, B4
Straight Tool	Extention Legs-L1, L2, L3, L4
90° Tool (RH)	Spring- L 115mm
90° Tool (LH)	Spring- L 300mm
Cutting tips - 10 pcs	Allen keys, set
Pull Rod -3 Nos	Spanner 17mm
S-Base	Plastic Hammer
M-Base	Dia Gauge
L-Base	Manual

Package



Configuration



Application

